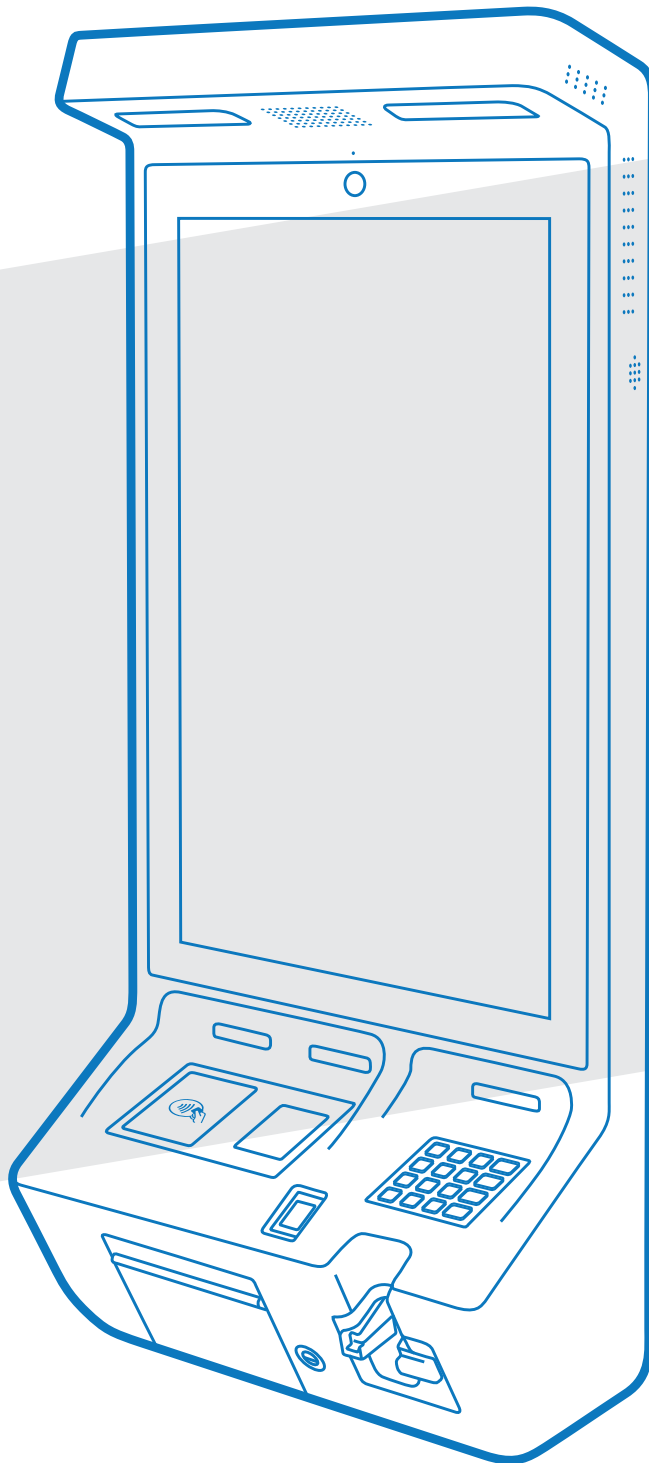


myPOS Kiosk

technical specifications and warranty



mypos.com

Table of Contents

Supported connections	2
Certifications & EMV	2
myPOS Kiosk specifications	3
Let`s get started	4
Overview	4
Card Readers	4
Instructions	5
Power ON/OFF	5
Terminal usage tips	5
Cleaning the device	5
Printer Paper Installation	6
Safety instructions	7
General safety information	7
Warranty and return policy	8
Replacement of myPOS package with defect	8
Important: disposal	8
For more information	8

Supported connections

Your new myPOS Kiosk device requires internet connection to work properly. The internet connection can be established via Wi-Fi, SIM card or Ethernet. Simply connect your myPOS Kiosk device to the internet using your mobile phone (via personal hotspot), a wireless router, a SIM card or an ethernet cable.

Please find the supported connection types below:

- **Wi-Fi** – You can connect your device using a Personal Hotspot or a Wi-Fi router. The supported encryption methods for Wi-Fi networks are WPA and WPA2.
- **SIM Card** - Make sure that the data connection service is activated.
- **Ethernet cable** – disable WiFi and plug the ethernet cable. Click “Done”. Your device will connect to the internet automatically.

Certifications & EMV



EC Declaration of conformity: The manufacturer PAX Technology Limited, China, declares that this product is compatible with the essential and other requirements of EC Directives R&TTE 1999/5/CE and related EC Directives and carries the CE mark accordingly.

myPOS Kiosk specifications

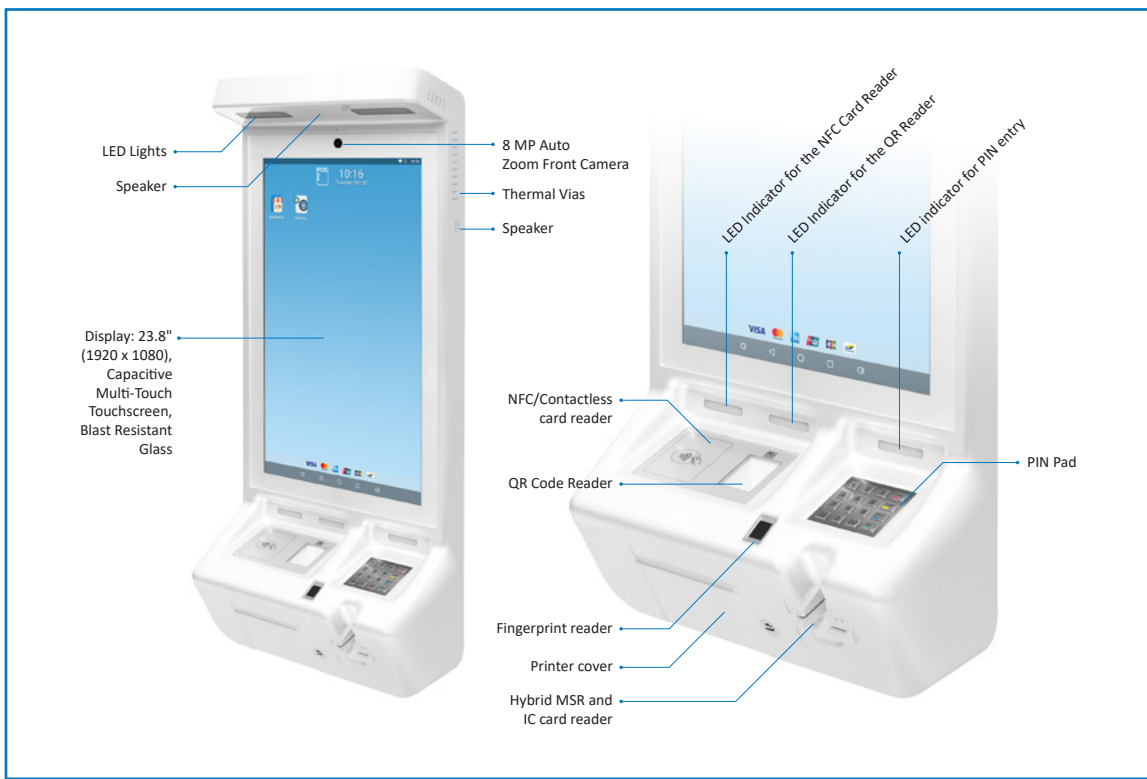
Operating System	PayDroid, based on Android 6
Processor	32 bit Quad Core Cortex-A17, 1.8GHz
Memory	2GB DDR + 16GB eMMC Micro SD Card Slot, Supports Up to 128GB
Payment modules	IM310: Encrypting PIN Pad IM500: Hybrid Card Reader IM700: Contactless Reader
Display	23.8" (1920 x 1080), Capacitive Multi-Touch Touchscreen, Blast Resistant Glass
Printer	3-inch Thermal Printer Head Print Speed: 150 mm/s Paper Width: 80 / 58 mm Paper Diameter: 80 mm Automatic Paper Receipt Cutter
PIN pad	Physical PIN Pad
Communications	Wi-Fi (Dual band), Hotspot Supported 4G LTE Bluetooth® wireless technology Supports Beacon LAN
Camera	8 MP Auto Zoom Front Camera
Card Readers	Hybrid reader: Magnetic Stripe and Smart Card Dedicated Contactless area
QR Code Reader	QR Code Reader, 1D/2D scanning
Power Adapter	Input: 100-200V AC, 50Hz/60Hz Output: 24V, 3.5A
Audio	2 x Speakers, 1 Microphone
Physical	L x W x H (in) : 37.99 x 15.35 x 6.89 Weight: 28.63 lbs
Peripheral Ports	1 x Micro USB 1 x RJ45 3 x Cords Triangle Shape Power Cable Ports 1 x RS232 1 x RJ11 RS485 Half Duplex
Environmental	10°C ~ 50°C Operating Temperature 20°C ~ 70°C Storage Temperature 5% ~ 96% relative Humidity Non-condensing
Certifications	PCI PTS 5.x, SRED EMV L1 & L2 EMV Contactless L1 Visa payWave MasterCard Contactless Discover D-PAS American Expresspay Interac Flash

Manufacturer: PAX TECHNOLOGY LIMITED

Address: Room 2416, 24/F; Sun Hung Kai Centre, 30 Harbour Road, Wanchai, Hong Kong

Let`s get started

Overview



Card Readers

The SK800 includes the following card readers:

NFC/Contactless Card Reader

The contactless card reader reads cards and devices placed roughly within an inch (2.5 mm). For best results, place the card as close to the reader as possible and center the card over the indicated area.

Magnetic Stripe Reader

Insert magnetic stripe card into card slot and push to the end with magnetic stripe facing down, then pull out the card at constant speed to swipe card.

EMV/Smart Card Reader

Insert the card fully into the reader with the metallic contacts facing up and towards the device. Make sure that the card is fully inserted into the card reader while scanning the card.

Instructions

The following section provides basic operating instructions for the SK800.

Power ON/OFF

Power ON: Plug the power supply in and then switch the power button located at the top of the terminal to the on position.

Power OFF: Switch the power button located at the top of the terminal to the off position.

Terminal usage tips

- If any cables become damaged, seek a replacement.
- If there is any suspicious object, please report to the related administrator.
- Do not insert unknown materials into any port on the myPOS Kiosk; this may cause serious damage. If repairs are required, please contact a professional technician instead of attempting them on your own.
- Avoid exposing the device to an excessively hot, dusty, or strong electromagnetic environment. Do not vibrate, shake, or drop the device.
- There is no built-in battery. The device can only be powered using the power adapter.

CAUTION: *Changes or modifications not expressly approved by the party responsible for compliance could void the user's authority to operate the equipment.*

PAX Technology Inc reserves the right to change product technology specifications without notification.

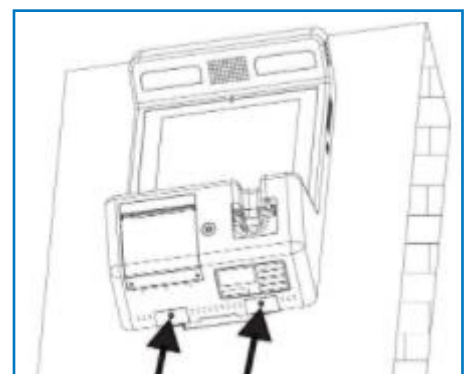
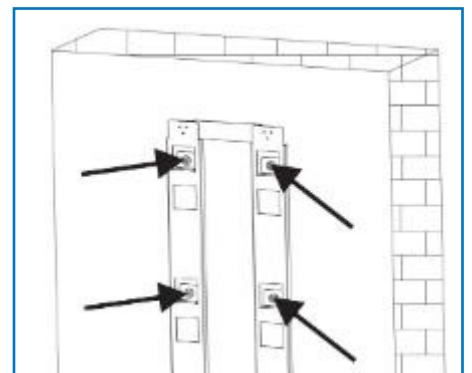
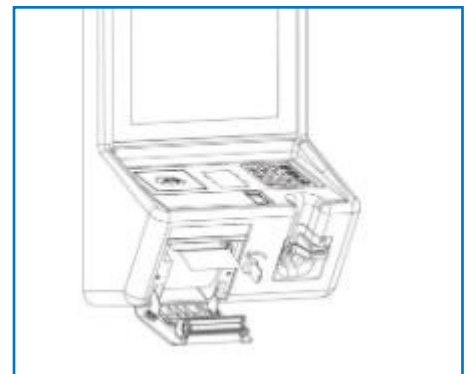
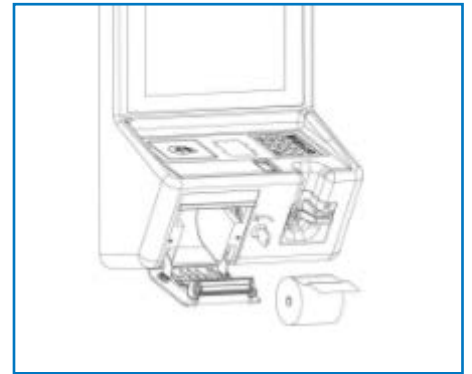
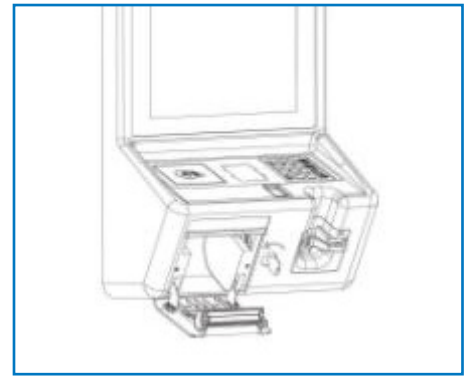
Cleaning the device

- Do not use industrial strength or abrasive cleaner as it may damage or scratch the screen.
- Do not immerse the device in water or liquid.
- Do not spray water or cleaner into ports.
- To clean the screen, apply distilled water or mild glass cleaner onto a soft, lint-free cloth and gently wipe terminal.

Printer Paper Installation

The myPOS Kiosk display will notify users when device is out of printer paper. Complete the following to load a new thermal paper roll.

1. Insert the key into the keyhole and turn i counterclockwise to open the printer cover. Completely open the printer cover. t
2. Insert the new paper roll into the printer.
3. Pull out the end of the paper so that it. extends past the cutting blade. Make sure that the paper roll is placed in the direction shown.
4. Close the printer cover and pull out the key. The printer will automatically cut off the extra paper.



Safety instructions

General safety information

- Use only the provided AC adapter. There is a risk of explosion, fire and device damage if other adapters are used.
- Never expose your device to extreme temperatures. There is a risk of explosion and fire.
- Never expose your device to extreme temperatures. There is a risk of explosion and fire.
- Switch off the device immediately if it starts to emit smoke, unusual odours or noises. If you continue to use the device under these circumstances, there is a risk of fire and electric shock. In such cases, you need to send the device for repair.
- Do not allow foreign matter to fall into the equipment. Penetration of foreign objects may lead to fire or electric shock.
- Do not expose the unit to extreme weather conditions such as rain, hail, strong sunlight or snow. In case of damage, the unit must be examined by customer service for possible faults.
- Do not insert any objects that do not meet the specified purpose into the openings on the casing or the card slots. This will cause damage to the casing or the card reader.
- Please put the myPOS Kiosk device out of reach of children to prevent swallowing of parts by children, causing injury to children or others, or damage to the objects themselves.
- The terminal does not contain any parts to be serviced by the user and therefore must not be opened. If opened, the warranty is rendered null and void.
- Do not drop, knock or shake the device. Rough handling can break internal circuit boards and fin mechanics.
- The myPOS Kiosk device is equipped with a Wi-Fi interface for wireless communication. Never use the device in environments where it could cause interference (airplanes, hospitals, etc.)

Warranty and return policy

Important: *The product, including myPOS Kiosk device and myPOS Business card ("the product") is not covered by Consumer law, including EC Directives on Consumer Protection and Distance selling Directives. This product is not designated to consumers, meaning any natural person who is acting for purposes, which are outside his trade, business, craft or profession. This product represents financial services and is designated only for accepting of payments for services or goods offered by natural or legal persons with a legal business activity, acting as professionals, sole traders, traders, merchants, self-employed or otherwise selling goods or services.*

Replacement of myPOS package with defect

- Client must not open the POS terminal device and must not try to repair the defect by himself/herself. This will be deemed as a defect caused by Client and the service provider will not be liable for its obligations under the Return Policy.
- You have the right to return the full myPOS package within 30 days from the date of receipt.
- Some Distributors may provide post-sale customer support and may be able to take back the defected myPOS Kiosk device. Please contact your Distributor or Agent first and check for post-sale customer support. In case there is not such, please proceed as instructed in this Return Policy.
- The guarantee of the service provider does not cover any cables, accessories, plugs, or power supply units or other items, different from the myPOS Kiosk devices and the myPOS Business card in the myPOS Package.

Please read the full text of the Return Policy available at www.myPOS.com prior to registration for the service and activation of the myPOS Package.

Important: disposal



You are not allowed to dispose any part of the myPOS Kiosk device, including its battery, cables or other components with the general household waste. If your myPOS Kiosk is not functioning, you have to send it for repair by following the Return policy available at www.myPOS.com.

For more information

For full list of available documents visit:
<https://www.mypos.eu/en/devices/smart-n5>